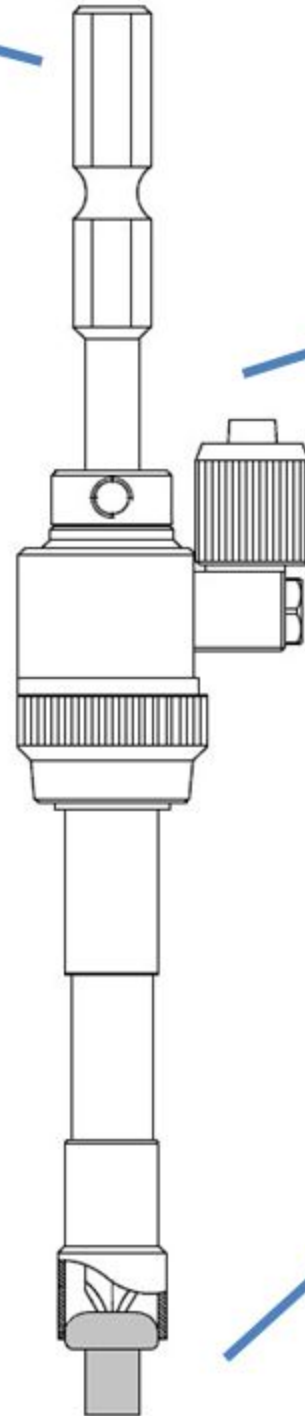


Can be installed on
any screwdriver



Vacuum generator
and vacuum pump
supplied upon request

Available models:

A2

A3

Code 010111/1

Code 010111/2

**M2 up to M2,6
screws**

**M3 up to M4
screws**

* Important: in case of use with screw feeders,
to be used with NFK-N.RS only.

For any
non-magnetic screw:
stainless steel, plastic,
brass, aluminium etc.

