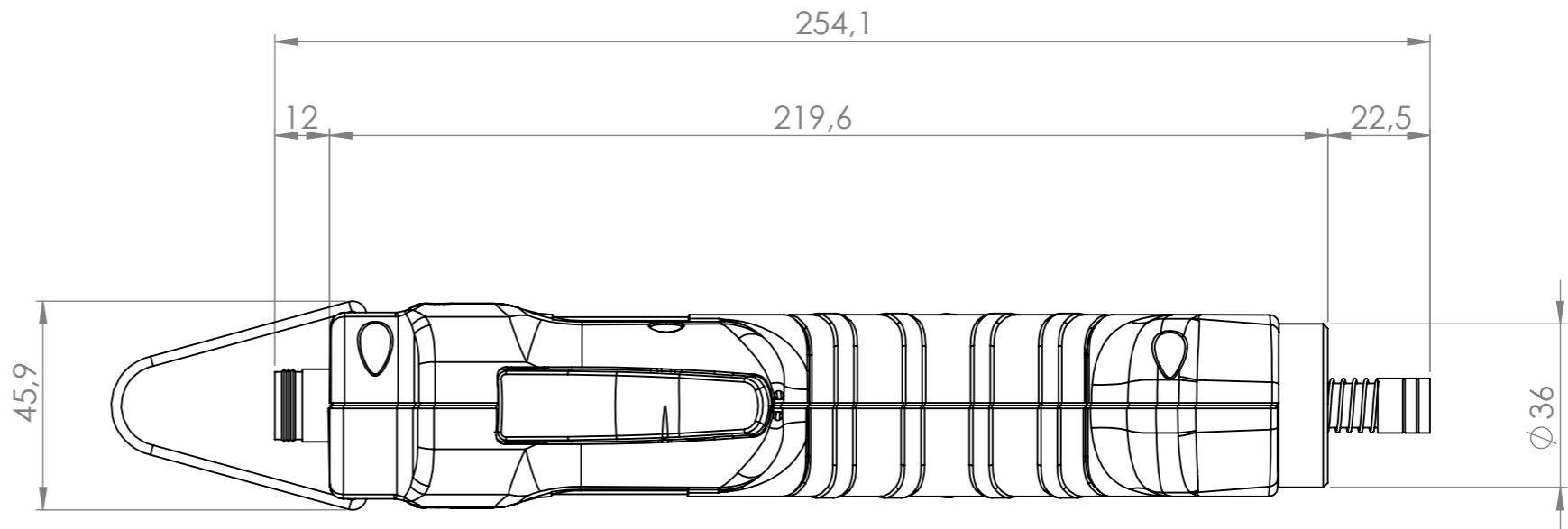
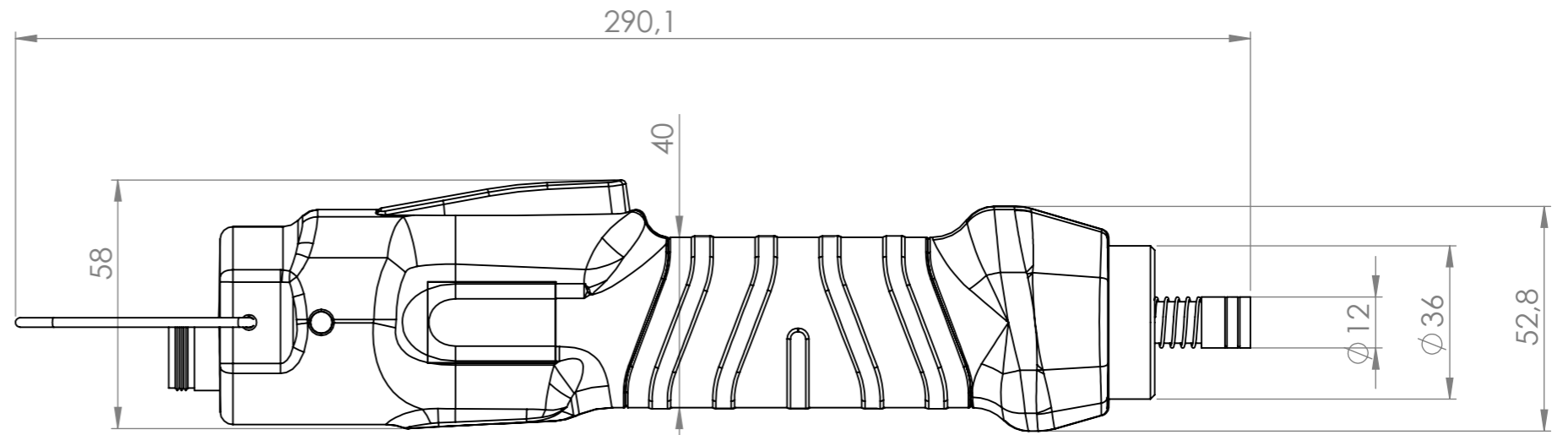
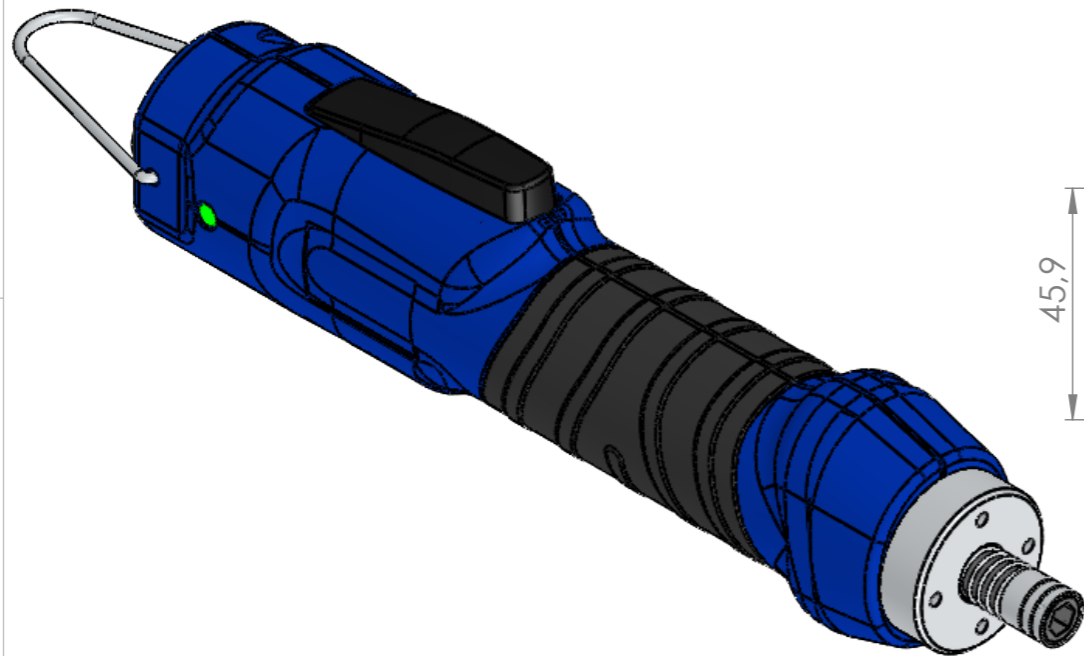


1/4"



Tolleranze dove non segnate

|           |            |          |
|-----------|------------|----------|
| Lunghezza | Fino 10mm  | ± 0.02mm |
|           | Fino 100mm | ± 0.03mm |
|           | Fino 300mm | ± 0.1mm  |
|           | Oltre      | ± 1mm    |
| Diametro  | Fori       | H7       |
|           | Alberi     | h7       |

THE INFORMATION CONTAINED IN THIS DRAWING IS THE SOLE PROPERTY OF KOLVER S.R.L. ANY REPRODUCTION IN PART OR AS A WHOLE WITHOUT THE WRITTEN PERMISSION OF KOLVER S.R.L. IS PROHIBITED.

| REVISIONE            | NOME           | FIRMA | DATA       | MATERIALE:              |
|----------------------|----------------|-------|------------|-------------------------|
| 0                    | Zeljko Bijelic |       | 10/02/2020 |                         |
| 1                    |                |       |            | Nome <b>KDS - MT15D</b> |
| 2                    |                |       |            | Codice <b>175015</b>    |
| <b>Kolver S.R.L.</b> |                |       |            | FORMATO <b>A3</b>       |