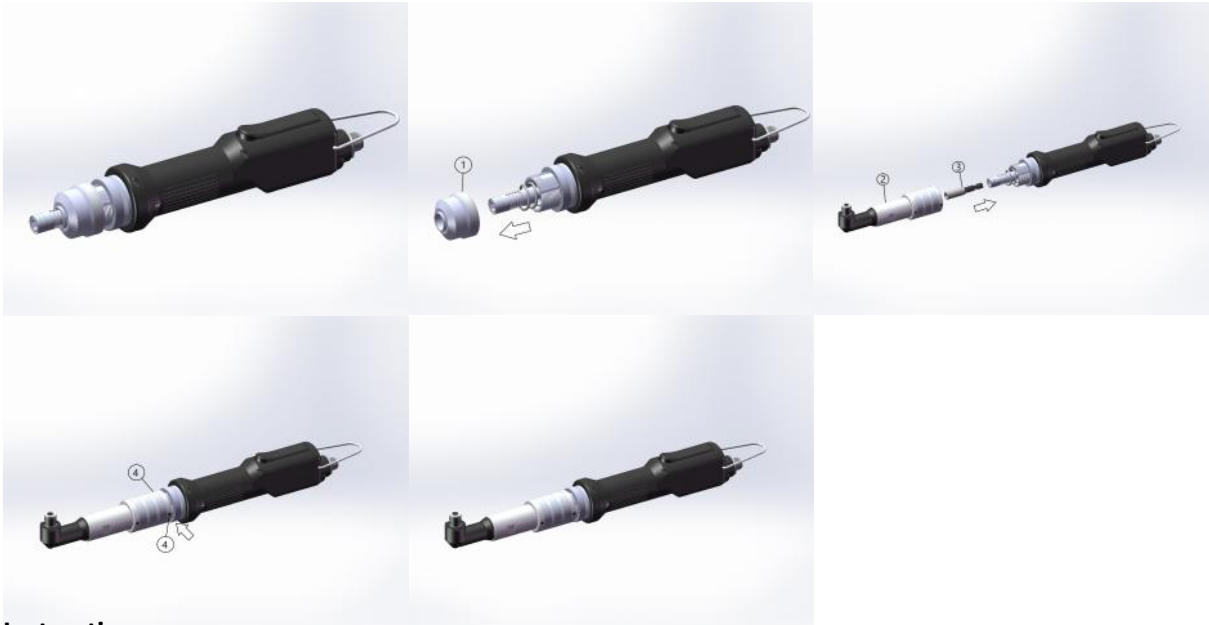
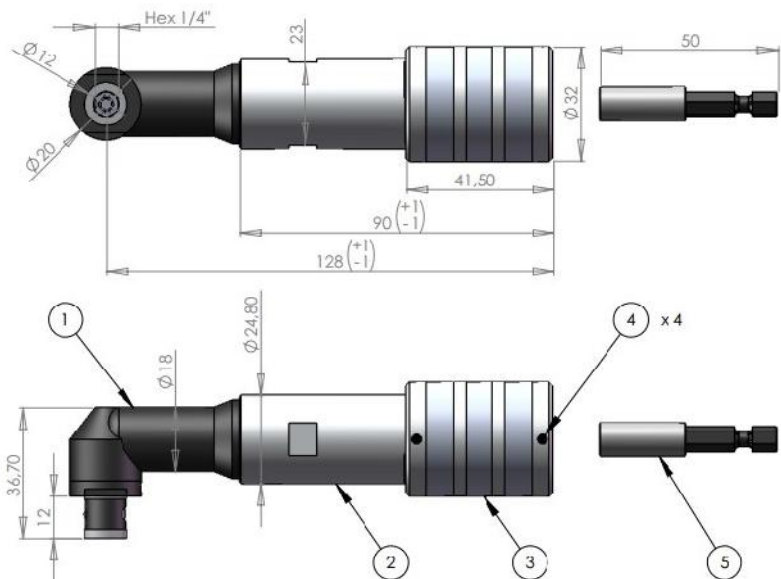


# Angle head HD9 - RAF



## Instructions:

- Untigheten and remove the nut (1)
- Mount the bit holder (3) and tighten the angle head (2) until the desired torque value.
- Tighten the screws(4) to lock the nut.



N°	Description/Descrizione	Cod. Raf	Cod. Fab
1	Angle Head 90° / Testina ad angolo 90° hex. 1/4"	234521/1	234521/1
2	Fitting / Raccordo RAF/FAB	234518/1	234518/1
3	Fitting 90° motor / Raccordo motore	234519	234520
4	BN24 Grub screw / Grano M3 x 3	200039	200039
5	magnetic bit / Inserto magnetico 50 mm	FE-15008	FE-15008

ANG HD8 Fab -  
ANG HD9 Raf  
Fab Cod. 010143  
Raf Cod. 010144